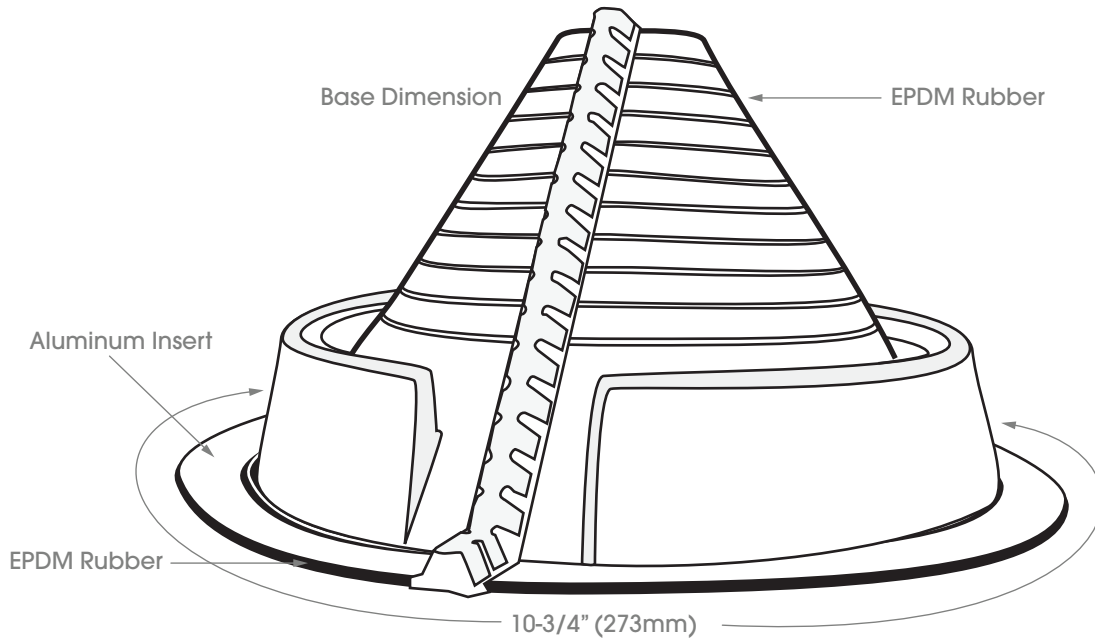
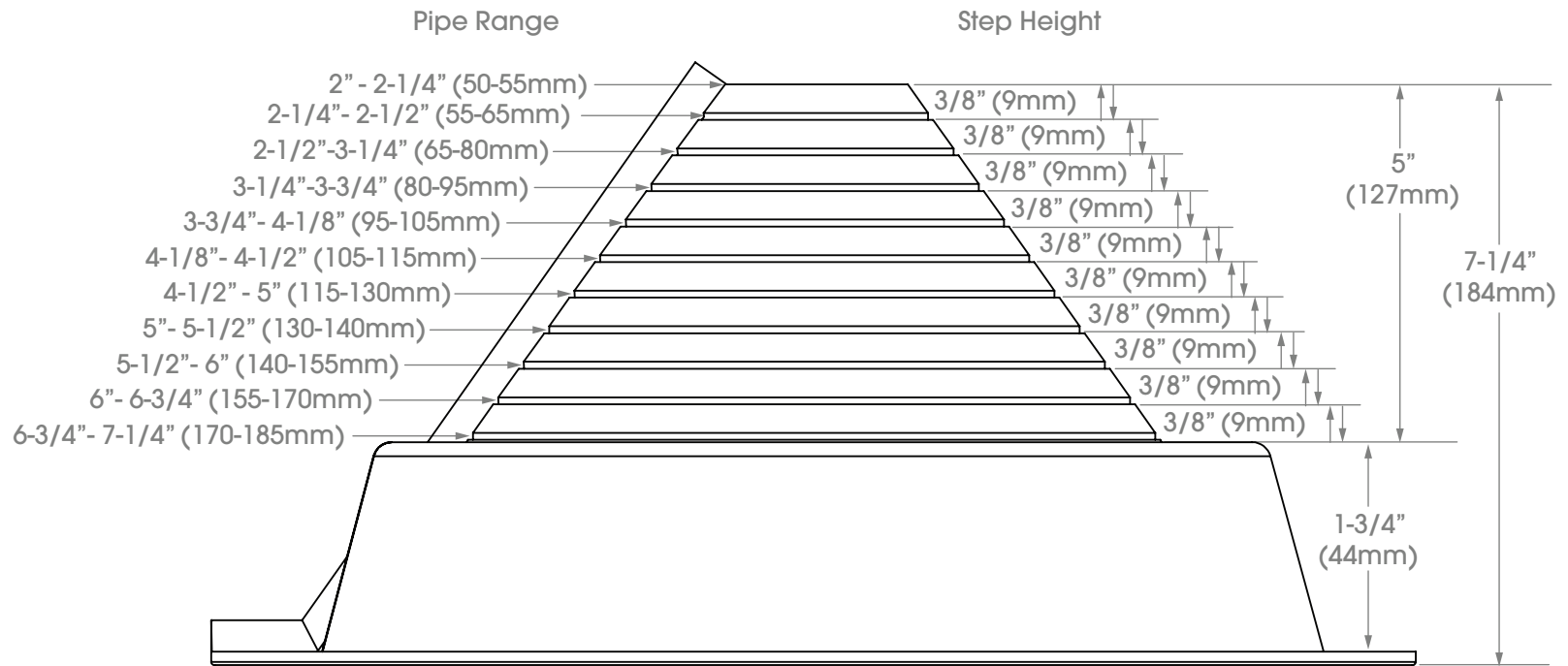


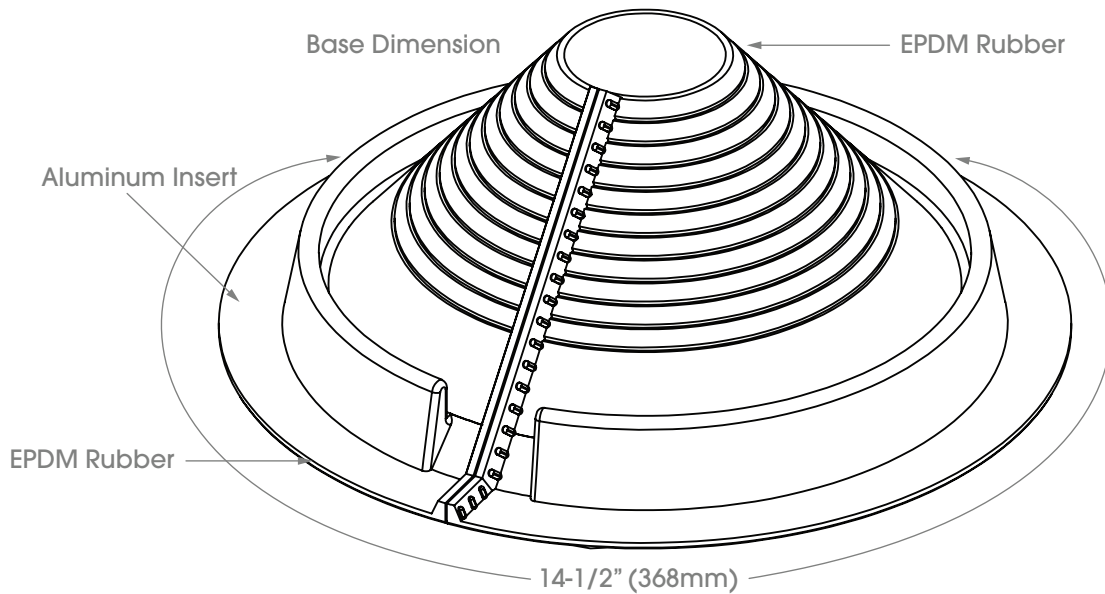
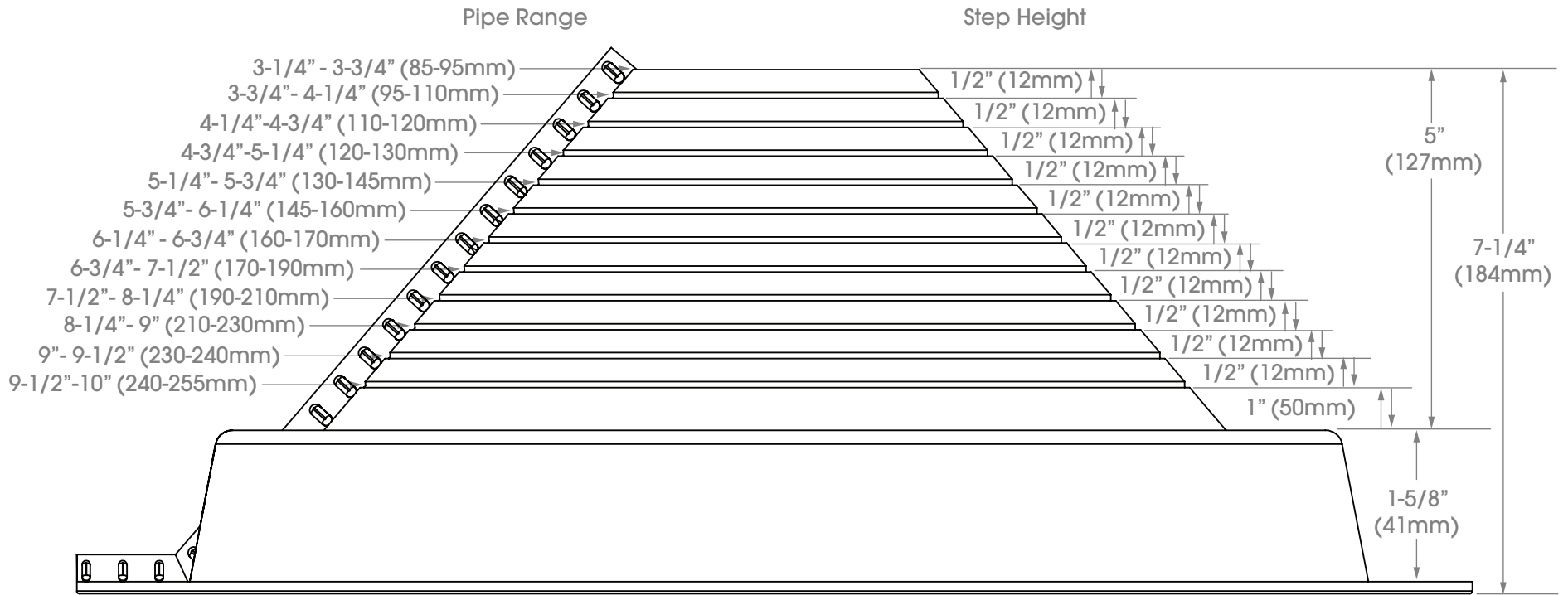
DESCRIPTION:	Advanced Ozone Resistance tested to...	EPDM 70 hour @ 500 pphm	RED & GREY HIGH TEMP SILICONE 70 hour @ 500 pphm	ASTM Standards:	Materials:
Pipe Flashing Master Flash® Universal Retrofit #1 Pipe Range: 3/4" to 2-3/4" (19 to 70mm) • Base: 6-1/4" (158mm)	High Temperature Resistance Tested to	Intermittent +135°C (+275°F)	Continuous +100°C (+212°F)	+260°C (+500°F) +225°C (+437°F)	
Confidentially Agreement	Low Temperature Resistance tested to...	-85°C (-67°F)	Compression Set Maximum...	25%	50%
THIS DRAWING CONTAINS INFORMATION THAT IS PROPERTY OF MARCO INDUSTRIES THIS DRAWING MAY NEITHER BE USED, COPIED, REPRODUCED OR DISTRIBUTED TO THIRD PARTIES WITHOUT WRITTEN CONSENT.	BOX QUANTITY:			DRAWN BY:	NAME:
				CHECKED BY:	DATE:
				APPROVED BY:	
					DRAWING NUMBER:
					MARCO PART #MFR101

Master Flash® is a registered trademark of the Aztec Washer Company



DESCRIPTION: Pipe Flashing Master Flash® Universal Retrofit #2 Pipe Range: 2" to 7-1/4" (50 to 184mm) • Base: 10-3/4" (273mm)	Advanced Ozone Resistance tested to...	EPDM 70 hour @ 500 pphm	RED & GREY HIGH TEMP SILICONE 70 hour @ 500 pphm	ASTM Standards:	Materials:
	High Temperature Resistance Tested to	Intermittent +135°C (+275°F)	Continuous +100°C (+212°F)		
Confidentially Agreement	Low Temperature Resistance tested to...	-85°C (-67°F)	-74°C (-101°F)		DRAWING NUMBER:
THIS DRAWING CONTAINS INFORMATION THAT IS PROPERTY OF MARCO INDUSTRIES THIS DRAWING MAY NEITHER BE USED, COPIED, REPRODUCED OR DISTRIBUTED TO THIRD PARTIES WITHOUT WRITTEN CONSENT.	Compression Set Maximum...	25%	50%		
	BOX QUANTITY:			DRAWN BY:	NAME:
				CHECKED BY:	DATE:
				APPROVED BY:	

MARCO PART #MFR201



DESCRIPTION: Pipe Flashing Master Flash® Universal Retrofit #3 Pipe Range: 3-1/4" to 10" (95 to 254mm) • Base: 14-1/2" (368mm)	Advanced Ozone Resistance tested to...	EPDM 70 hour @ 500 pphm	RED & GREY HIGH TEMP SILICONE 70 hour @ 500 pphm	ASTM Standards:	Materials:
	High Temperature Resistance Tested to	Intermittent +135°C (+275°F)	Continuous +100°C (+212°F)		
Confidentially Agreement	Low Temperature Resistance tested to...	-55°C (-67°F)	-74°C (-101°F)		DRAWING NUMBER:
THIS DRAWING CONTAINS INFORMATION THAT IS PROPERTY OF MARCO INDUSTRIES THIS DRAWING MAY NEITHER BE USED, COPIED, REPRODUCED OR DISTRIBUTED TO THIRD PARTIES WITHOUT WRITTEN CONSENT.	Compression Set Maximum...	25%	50%	NAME:	DATE:
	BOX QUANTITY:			DRAWN BY:	
				CHECKED BY:	
				APPROVED BY:	

Master Flash® is a registered trademark of the Aztec Washer Company