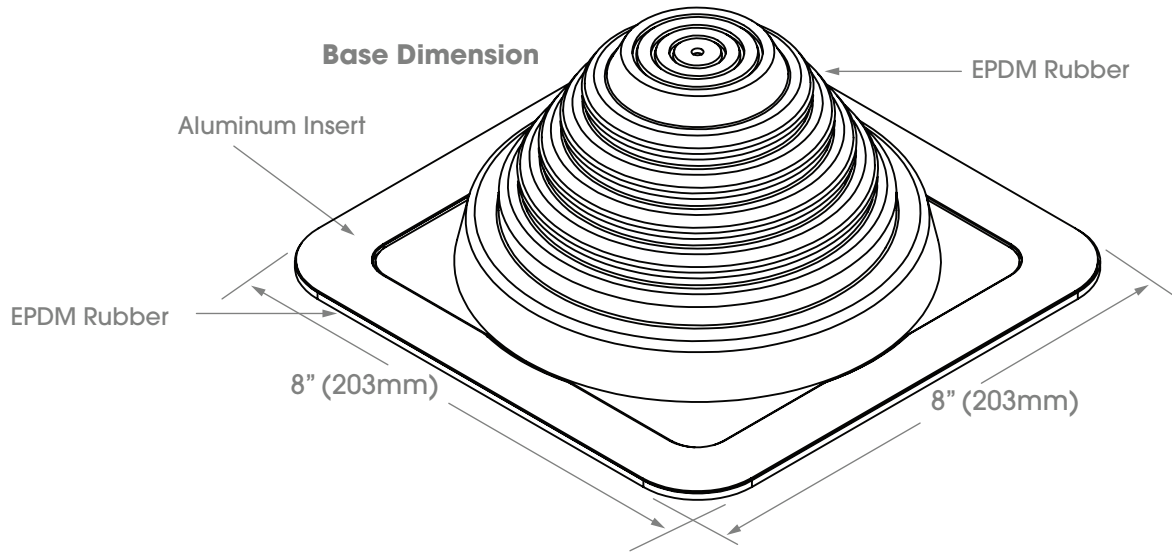
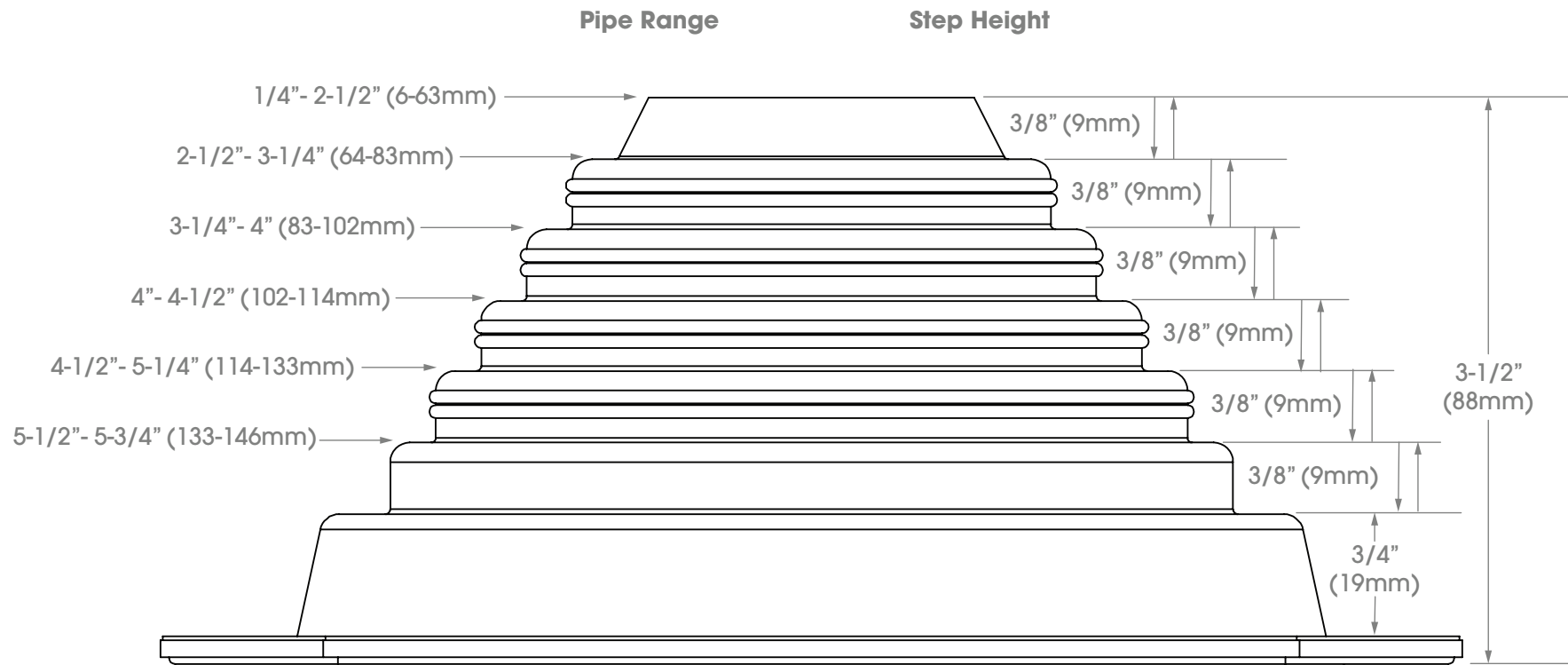


DESCRIPTION: Pipe Flashing Master Flash® Standard #1 Pipe Range: 1/4" to 2-3/4" (6 to 70mm) • Base: 4-1/2" (114mm)	Advanced Ozone Resistance tested to...	EPDM 70 hour @ 500 pphm	RED & GREY HIGH TEMP SILICONE 70 hour @ 500 pphm	ASTM Standards: NAME: _____ DATE: _____	Materials: DRAWING NUMBER: MARCO PART #MF1
	High Temperature Resistance Tested to	Intermittent +135°C (+275°F) Continuous +100°C (+212°F)	+260°C (+500°F) +225°C (+437°F)		
Confidentially Agreement	Low Temperature Resistance tested to...	-85°C (-67°F)	-74°C (-101°F)		
THIS DRAWING CONTAINS INFORMATION THAT IS PROPERTY OF MARCO INDUSTRIES THIS DRAWING MAY NEITHER BE USED, COPIED, REPRODUCED OR DISTRIBUTED TO THIRD PARTIES WITHOUT WRITTEN CONSENT.	Compression Set Maximum...	25%	50%	DRAWN BY:	
	BOX QUANTITY:			CHECKED BY:	
				APPROVED BY:	

Master Flash® is a registered trademark of the Aztec Washer Company

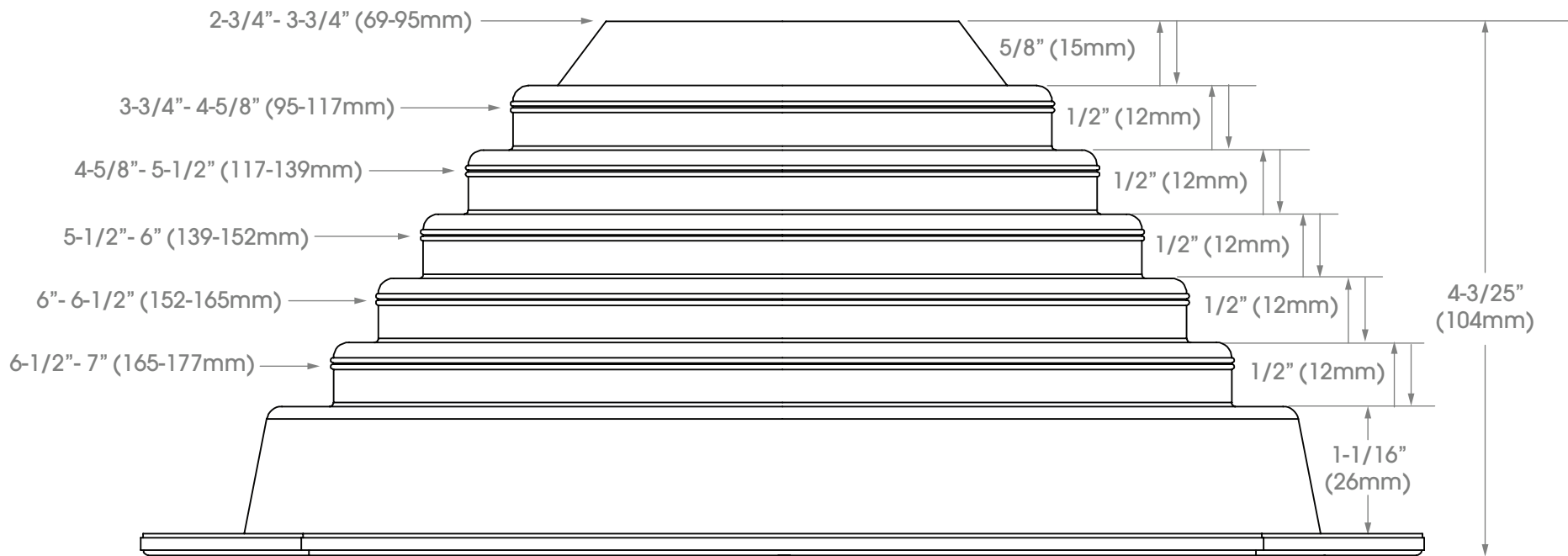


DESCRIPTION: Pipe Flashing Master Flash® Standard #3 Pipe Range: 1/4" to 5-3/4" (6 to 146mm) • Base: 8" (203mm)	Advanced Ozone Resistance tested to...	70 hour @ 500 pphm	EPDM	RED & GREY HIGH TEMP SILICONE	70 hour @ 500 pphm	ASTM Standards: NAME: _____ DATE: _____	Materials: DRAWING NUMBER:
	High Temperature Resistance Tested to	Intermittent Continuous	+135°C (+275°F) +100°C (+212°F)		+260°C (+500°F) +225°C (+437°F)		
Confidentially Agreement	Low Temperature Resistance tested to...		-55°C (-67°F)		-74°C (-101°F)		
THIS DRAWING CONTAINS INFORMATION THAT IS PROPERTY OF MARCO INDUSTRIES THIS DRAWING MAY NEITHER BE USED, COPIED, REPRODUCED OR DISTRIBUTED TO THIRD PARTIES WITHOUT WRITTEN CONSENT.	Compression Set Maximum...		25%		50%		
	BOX QUANTITY:					DRAWN BY:	
							CHECKED BY:
						APPROVED BY:	
						MARCO PART #MF3	

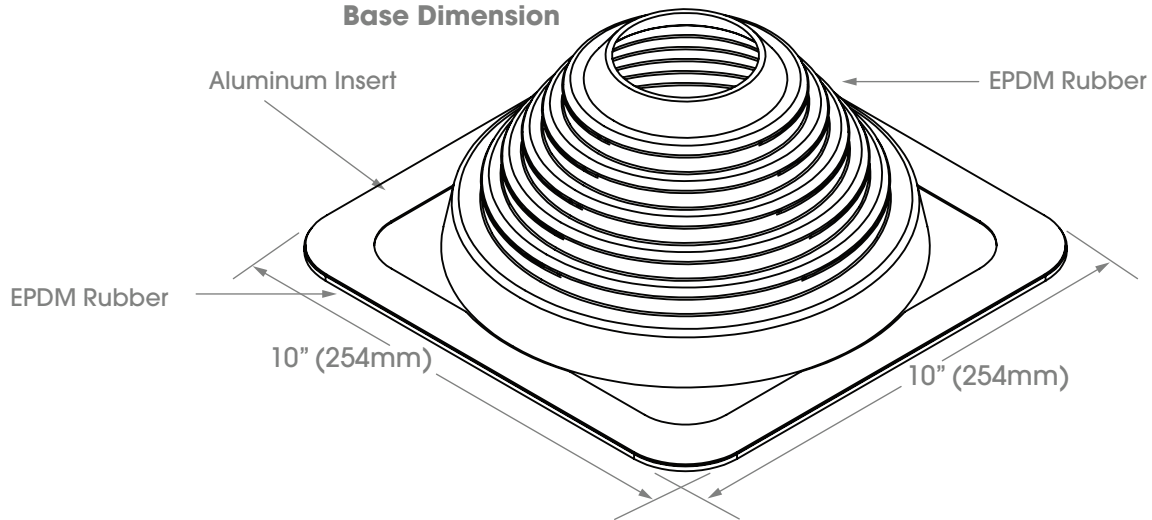
Master Flash® is a registered trademark of the Aztec Washer Company

Pipe Range

Step Height



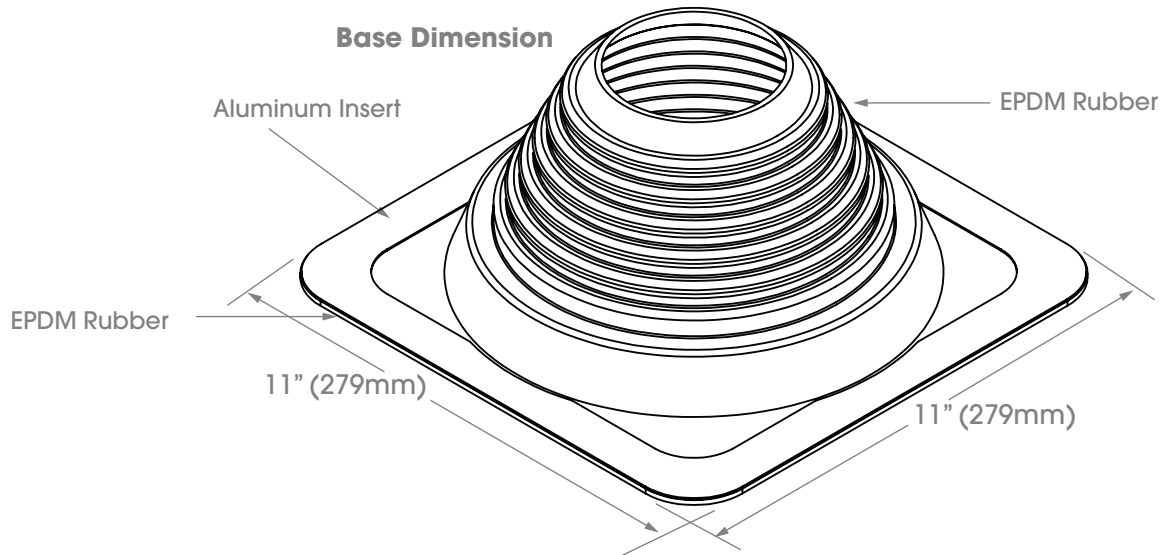
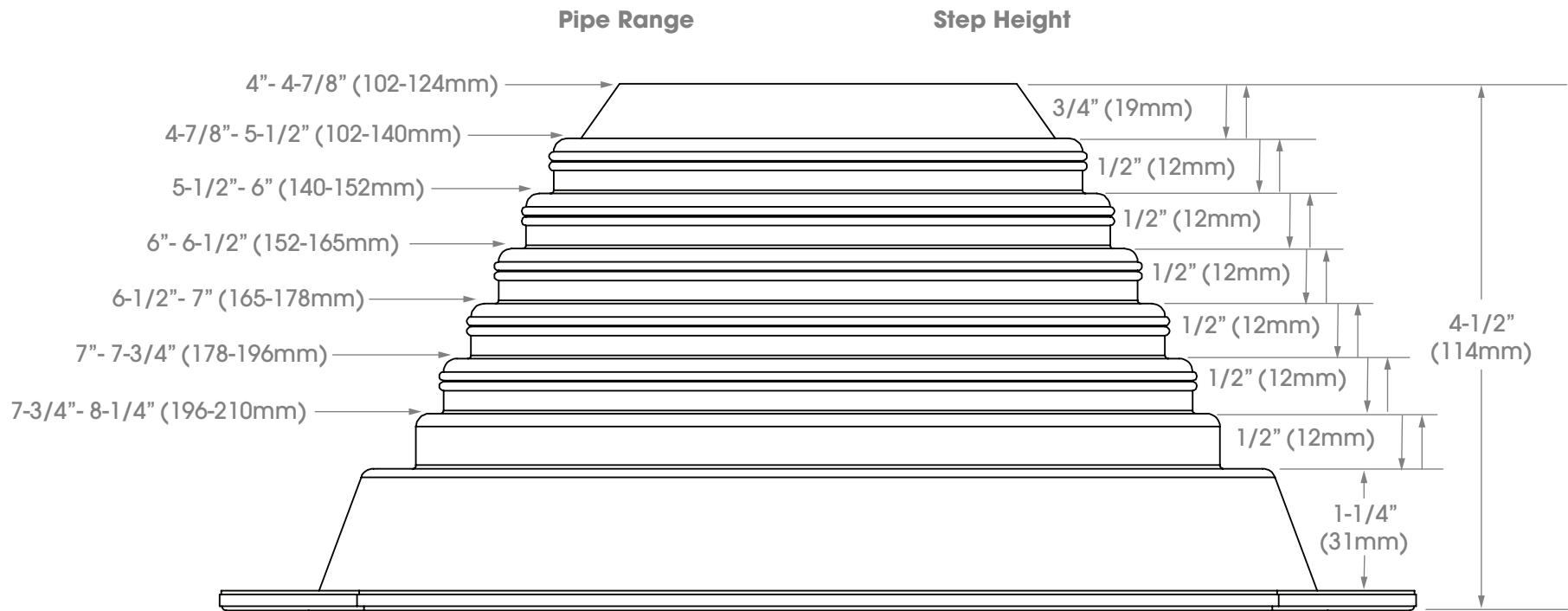
Base Dimension



DESCRIPTION:	Advanced Ozone Resistance tested to...	EPDM 70 hour @ 500 pphm	RED & GREY HIGH TEMP SILICONE 70 hour @ 500 pphm	ASTM Standards:	Materials:
Pipe Flashing Master Flash® Standard #4 Pipe Range: 2-3/4" to 7" (70 to 177mm) • Base: 10" (254mm)	High Temperature Resistance Intermittent Tested to	+135°C (+275°F)	+260°C (+500°F)		
	Low Temperature Resistance tested to...	-55°C (-67°F)	-74°C (-101°F)		
Confidentially Agreement	Compression Set Maximum...	25%	50%		
THIS DRAWING CONTAINS INFORMATION THAT IS PROPERTY OF MARCO INDUSTRIES THIS DRAWING MAY NEITHER BE USED, COPIED, REPRODUCED OR DISTRIBUTED TO THIRD PARTIES WITHOUT WRITTEN CONSENT.	BOX QUANTITY:			DRAWN BY:	NAME: DATE:
				CHECKED BY:	
				APPROVED BY:	
					DRAWING NUMBER:
					MARCO PART #MF4

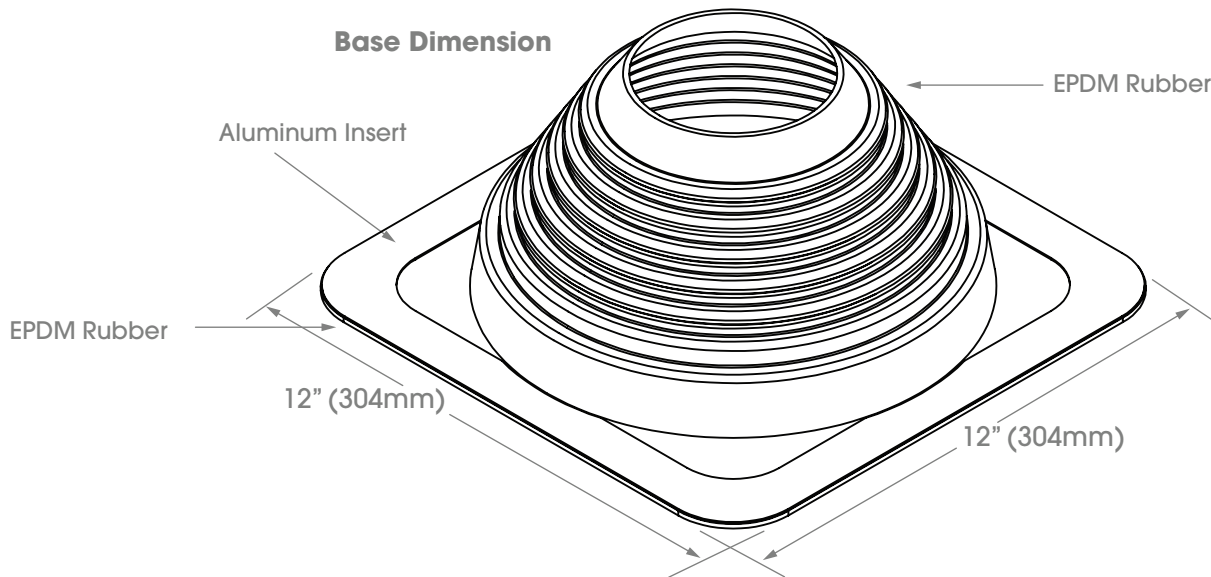
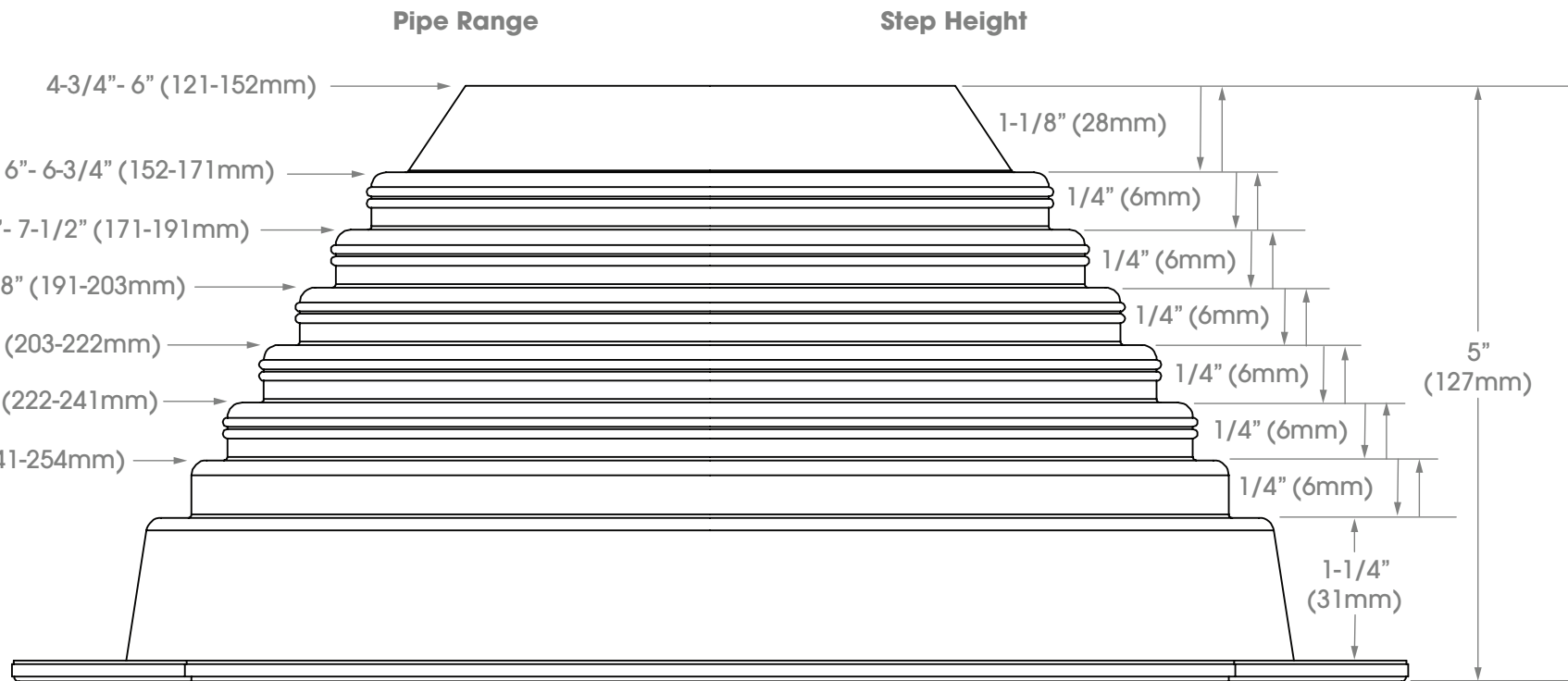


Master Flash® is a registered trademark of the Aztec Washer Company



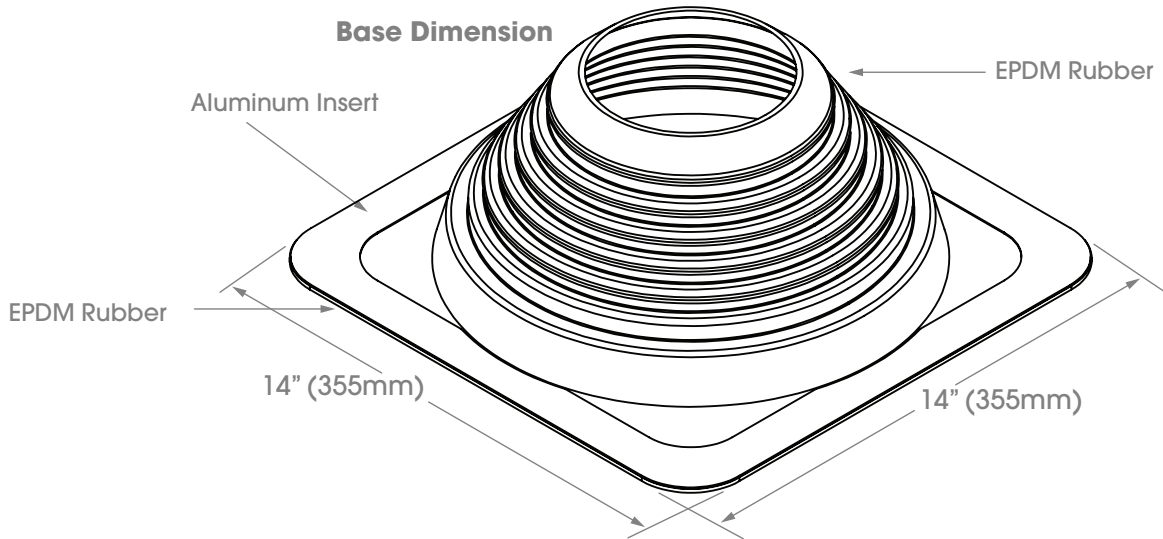
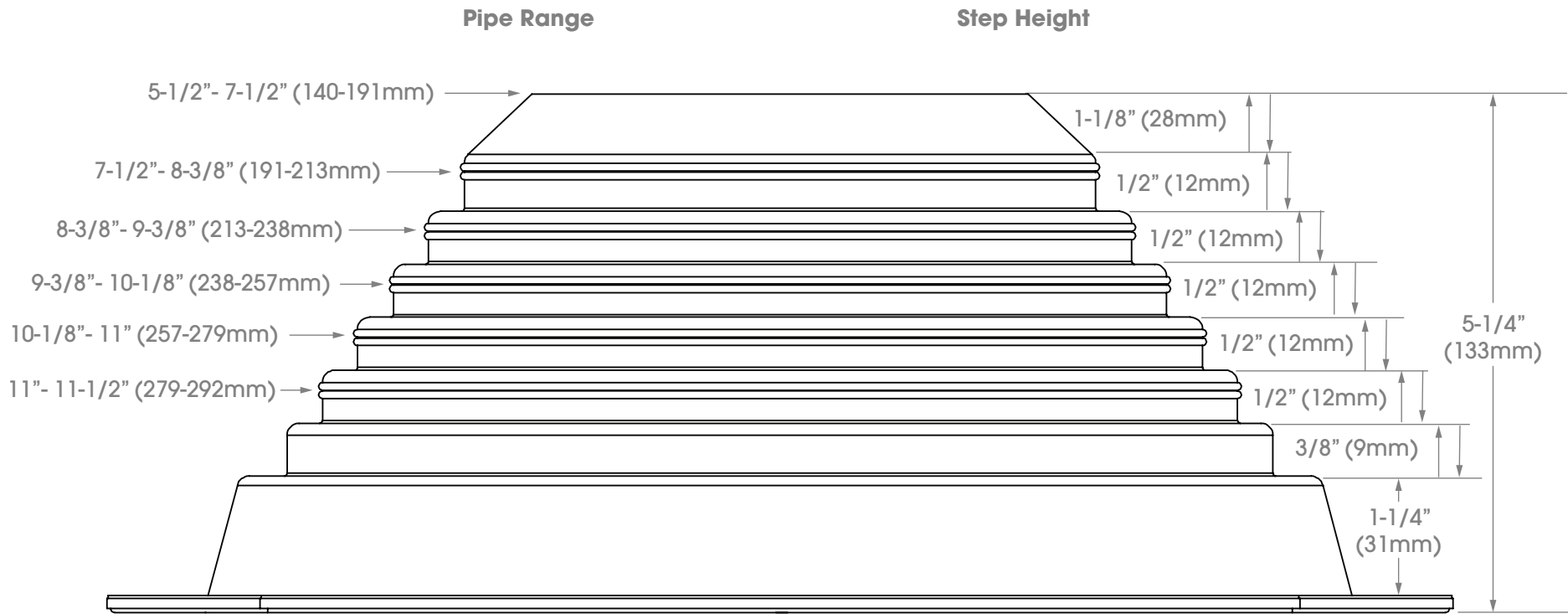
DESCRIPTION: Pipe Flashing Master Flash® Standard #5 Pipe Range: 4" to 8-1/4" (102 to 209mm) • Base: 11" (279mm)	Advanced Ozone Resistance tested to...	EPDM 70 hour @ 500 pphm	RED & GREY HIGH TEMP SILICONE 70 hour @ 500 pphm	ASTM Standards: NAME: _____ DATE: _____	Materials: DRAWING NUMBER:
	High Temperature Resistance Tested to	Intermittent +135°C (+275°F)	Continuous +100°C (+212°F)		
Confidentially Agreement	Low Temperature Resistance tested to...	-55°C (-67°F)	-74°C (-101°F)		
THIS DRAWING CONTAINS INFORMATION THAT IS PROPERTY OF MARCO INDUSTRIES THIS DRAWING MAY NEITHER BE USED, COPIED, REPRODUCED OR DISTRIBUTED TO THIRD PARTIES WITHOUT WRITTEN CONSENT.	Compression Set Maximum...	25%	50%	DRAWN BY:	MARCO PART #MF5
	BOX QUANTITY:			CHECKED BY:	
				APPROVED BY:	

Master Flash® is a registered trademark of the Aztec Washer Company



DESCRIPTION: Pipe Flashing Master Flash® Standard #6 Pipe Range: 4-3/4" to 10" (121 to 254mm) • Base: 12" (304mm)	Advanced Ozone Resistance tested to...	70 hour @ 500 ppm	EPDM	RED & GREY HIGH TEMP SILICONE	70 hour @ 500 ppm	ASTM Standards: NAME: _____ DATE: _____	Materials: DRAWING NUMBER:
	High Temperature Resistance Tested to	Intermittent Continuous	+135°C (+275°F) +100°C (+212°F)	+260°C (+500°F) +225°C (+437°F)			
Confidentially Agreement	Low Temperature Resistance tested to...		-55°C (-67°F)	-74°C (-101°F)			
THIS DRAWING CONTAINS INFORMATION THAT IS PROPERTY OF MARCO INDUSTRIES THIS DRAWING MAY NEITHER BE USED, COPIED, REPRODUCED OR DISTRIBUTED TO THIRD PARTIES WITHOUT WRITTEN CONSENT.	Compression Set Maximum...		25%	50%			MARCO PART #MF6
	BOX QUANTITY:						

Master Flash® is a registered trademark of the Aztec Washer Company

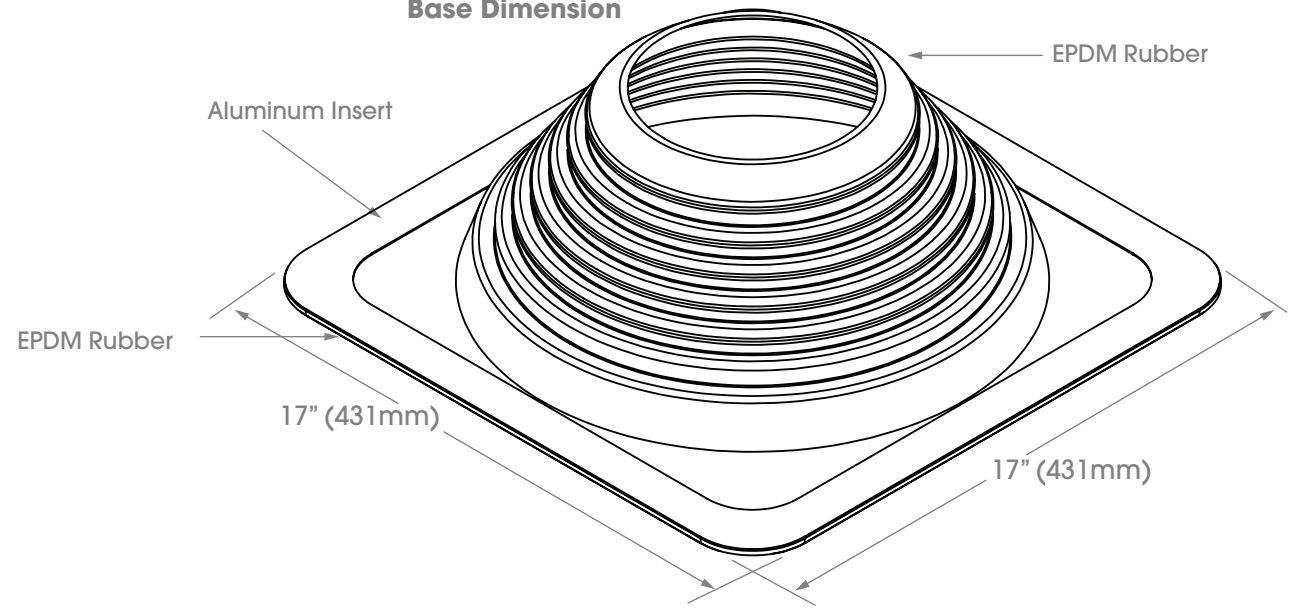


DESCRIPTION: Pipe Flashing Master Flash® Standard #7 Pipe Range: 4-3/4" to 10" (140 to 292mm) • Base: 14" (355mm)	Advanced Ozone Resistance tested to...	EPDM 70 hour @ 500 pphm	RED & GREY HIGH TEMP SILICONE 70 hour @ 500 pphm	ASTM Standards: NAME: _____ DATE: _____	Materials: DRAWING NUMBER: MARCO PART #MF7
	High Temperature Resistance Tested to	Intermittent +135°C (+275°F)	Continuous +100°C (+212°F)		
Confidentially Agreement	Low Temperature Resistance tested to...	Compression Set Maximum...			
THIS DRAWING CONTAINS INFORMATION THAT IS PROPERTY OF MARCO INDUSTRIES THIS DRAWING MAY NEITHER BE USED, COPIED, REPRODUCED OR DISTRIBUTED TO THIRD PARTIES WITHOUT WRITTEN CONSENT.	BOX QUANTITY:	25%	50%	DRAWN BY:	
				CHECKED BY:	
				APPROVED BY:	

Master Flash® is a registered trademark of the Aztec Washer Company



Base Dimension

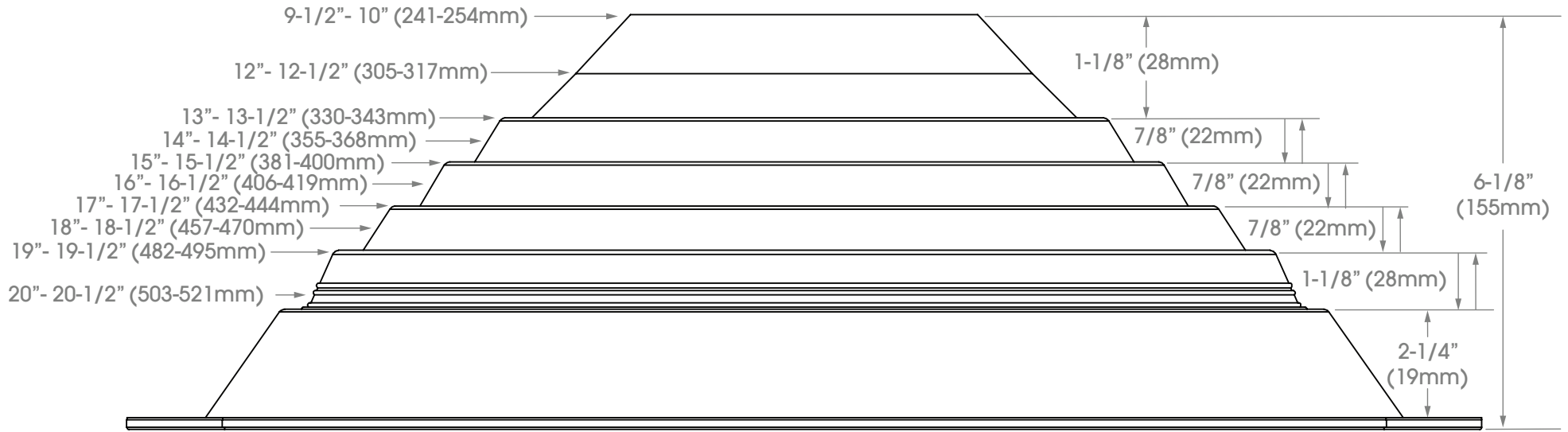


DESCRIPTION: Pipe Flashing Master Flash® Standard #8 Pipe Range: 6-3/4" to 13-1/2" (171 to 343mm) • Base: 17" (431mm)	Advanced Ozone Resistance tested to...	70 hour @ 500 pphm	EPDM	RED & GREY HIGH TEMP SILICONE	70 hour @ 500 pphm	ASTM Standards: NAME: _____ DATE: _____	Materials: DRAWING NUMBER:
	High Temperature Resistance Tested to	Intermittent	+135°C (+275°F)		+260°C (+500°F)		
	Continuous	+100°C (+212°F)		+225°C (+437°F)			
	Low Temperature Resistance tested to...	-55°C (-67°F)		-74°C (-101°F)			
	Compression Set Maximum...	25%		50%			
Confidentially Agreement THIS DRAWING CONTAINS INFORMATION THAT IS PROPERTY OF MARCO INDUSTRIES THIS DRAWING MAY NEITHER BE USED, COPIED, REPRODUCED OR DISTRIBUTED TO THIRD PARTIES WITHOUT WRITTEN CONSENT.	BOX QUANTITY: _____					DRAWN BY: _____ CHECKED BY: _____ APPROVED BY: _____	MARCO PART #MF8

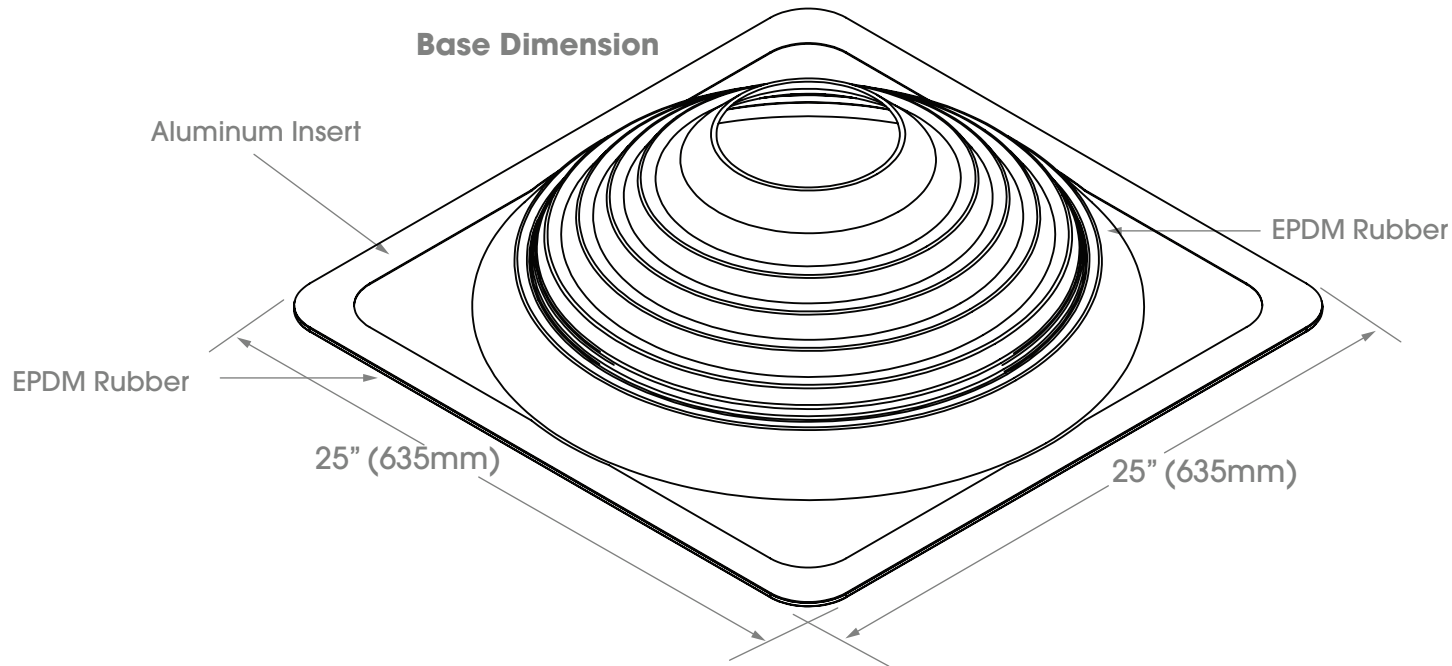
Master Flash® is a registered trademark of the Aztec Washer Company

Pipe Range

Step Height

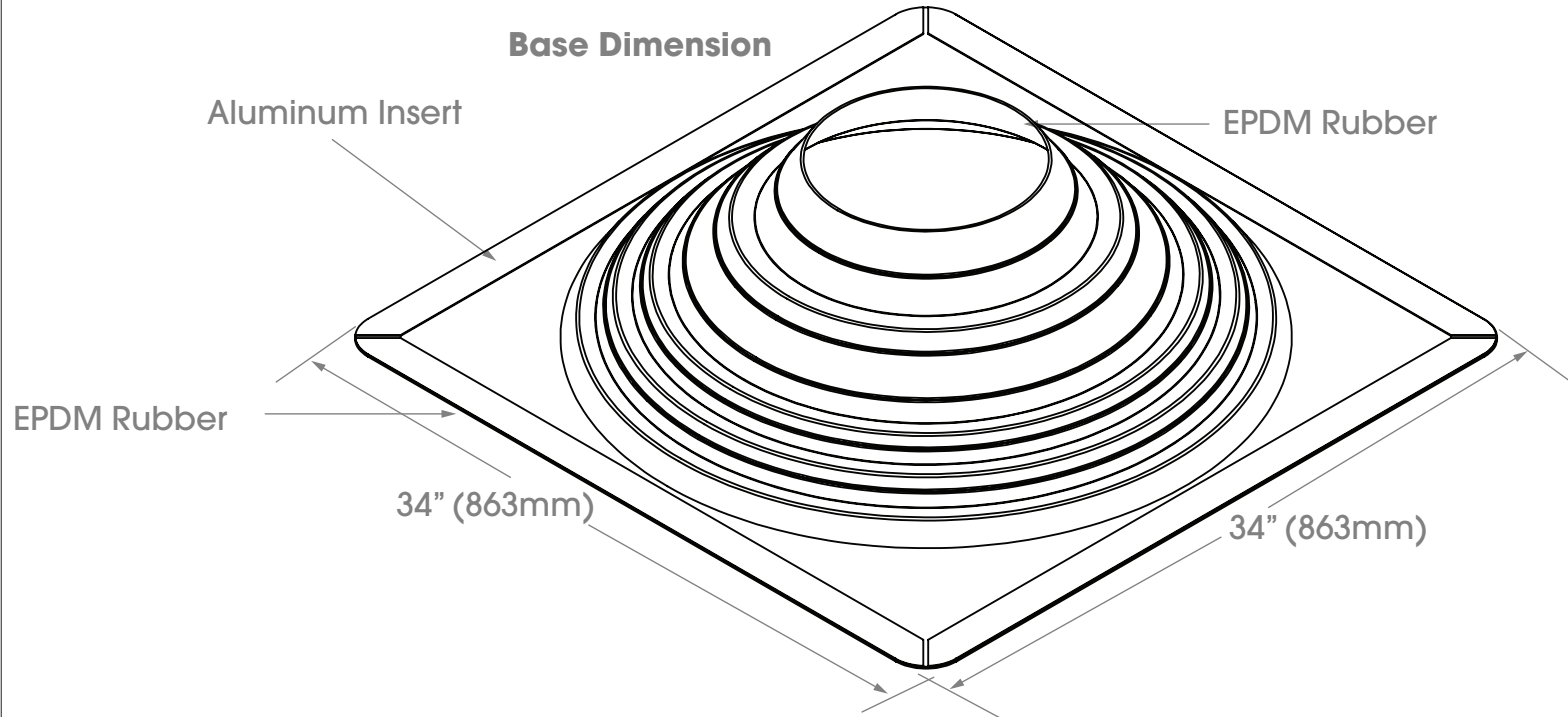
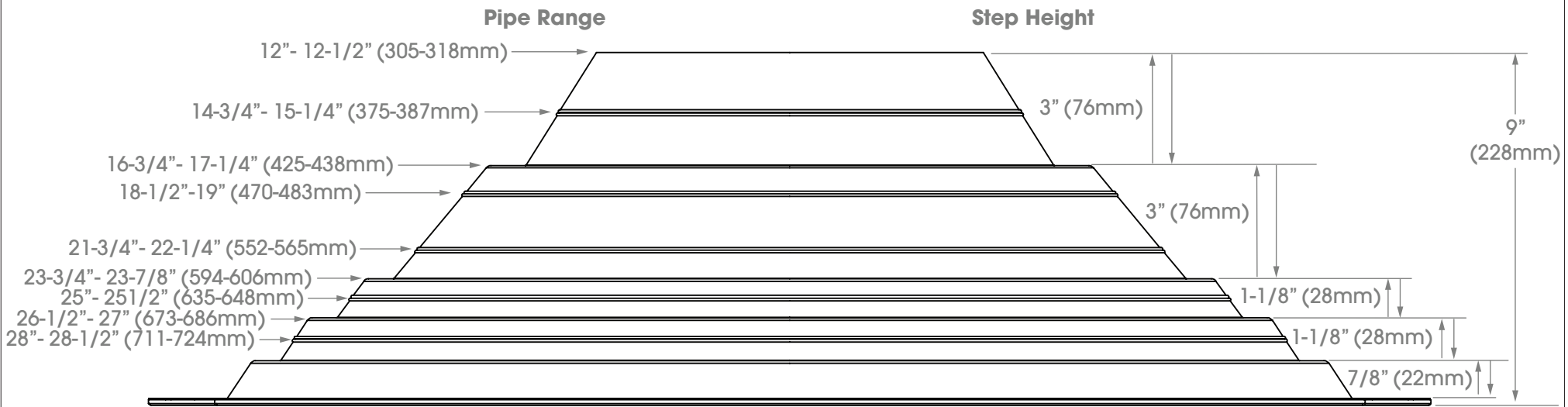


Base Dimension



DESCRIPTION: Pipe Flashing Master Flash® Standard #9 Pipe Range: 9-1/2" to 10" (241 to 254mm) • Base: 25" (635mm)	Advanced Ozone Resistance tested to...	EPDM 70 hour @ 500 pphm	RED & GREY HIGH TEMP SILICONE 70 hour @ 500 pphm	ASTM Standards: NAME: _____ DATE: _____	Materials: DRAWING NUMBER: MARCO PART #MF9
	High Temperature Resistance Tested to	Intermittent +135°C (+275°F)	Continuous +100°C (+212°F)		
Confidentially Agreement	Low Temperature Resistance tested to...	Compression Set Maximum...		DRAWN BY:	APPROVED BY: _____
THIS DRAWING CONTAINS INFORMATION THAT IS PROPERTY OF MARCO INDUSTRIES THIS DRAWING MAY NEITHER BE USED, COPIED, REPRODUCED OR DISTRIBUTED TO THIRD PARTIES WITHOUT WRITTEN CONSENT.	BOX QUANTITY:	25%	50%	CHECKED BY:	

Master Flash® is a registered trademark of the Aztec Washer Company



DESCRIPTION: Pipe Flashing Master Flash® Standard #Maxi Pipe Range: 12" to 28-1/2" (304 to 724mm) • Base: 34" (863mm)	Advanced Ozone Resistance tested to...	EPDM 70 hour @ 500 pphm	RED & GREY HIGH TEMP SILICONE 70 hour @ 500 pphm	ASTM Standards: NAME: _____ DATE: _____	Materials: DRAWING NUMBER:
	High Temperature Resistance Tested to	Intermittent +135°C (+275°F)	Continuous +100°C (+212°F)		
Confidentially Agreement	Low Temperature Resistance tested to...	-55°C (-67°F)	-74°C (-101°F)		
THIS DRAWING CONTAINS INFORMATION THAT IS PROPERTY OF MARCO INDUSTRIES THIS DRAWING MAY NEITHER BE USED, COPIED, REPRODUCED OR DISTRIBUTED TO THIRD PARTIES WITHOUT WRITTEN CONSENT.	Compression Set Maximum...	25%	50%		
	BOX QUANTITY:			DRAWN BY:	
				CHECKED BY:	
				APPROVED BY:	
					MARCO PART # MF10

Master Flash® is a registered trademark of the Aztec Washer Company